

PRODUCT INFORMATION PACKET

Model No: 5KH49SN3046

Catalog No: H296

1/4 HP Fan and Blower HVAC/R Motor, 1 phase, 900 RPM, 115 V, 56 Frame, ODP
Self Cooled Motors



Regal and Marathon are trademarks of Regal Beloit Corporation or one of its affiliated companies.
©2020 Regal Beloit Corporation, All Rights Reserved. MC017097E

REGAL



Nameplate Specifications

Output HP	0.25 Hp	Output KW	0.19 kW
Frequency	60 Hz	Voltage	115 V
Current	6.9 A	Speed	850 rpm
Service Factor	1.25	Phase	1
Efficiency	43.3 %	Power Factor	0
Duty	Continuous	Insulation Class	B
KVA Code	M	Frame	56
Enclosure	Drip Proof	Thermal Protection	N/R
Ambient Temperature	40 °C	Drive End Bearing Size	6203
Opp Drive End Bearing Size	6203	UL	Recognized
CSA	Yes	CE	N

Technical Specifications

Electrical Type	Split Phase	Starting Method	SM
Poles	8	Rotation	Counterclockwise/Clockwise
Mounting	Resilient Base	Motor Orientation	ANY
Drive End Bearing	BALL	Opp Drive End Bearing	Ball
Frame Material	Rolled Steel	Overall Length	12.01 in
Frame Length	7.68 in	Shaft Diameter	0.630 in
Shaft Extension	1.88 in	Thru-bolts Extension	0 in
Outline Drawing	52A109511P4	Connection Drawing	52A105377AA

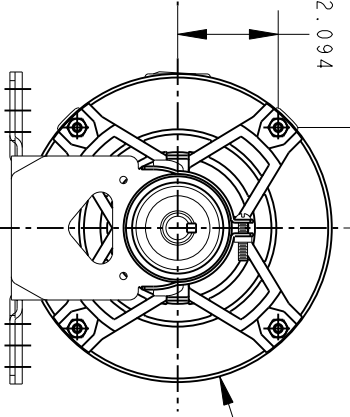
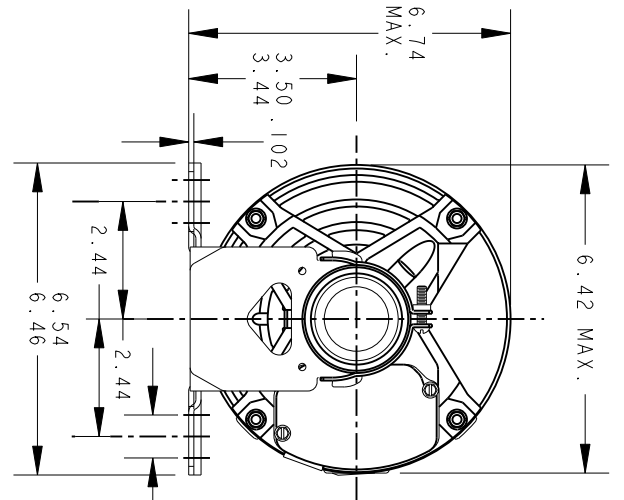
This is an uncontrolled document once printed or downloaded and is subject to change without notice. Date Created:03/11/2020

THIRD ANGLE PROJECTION

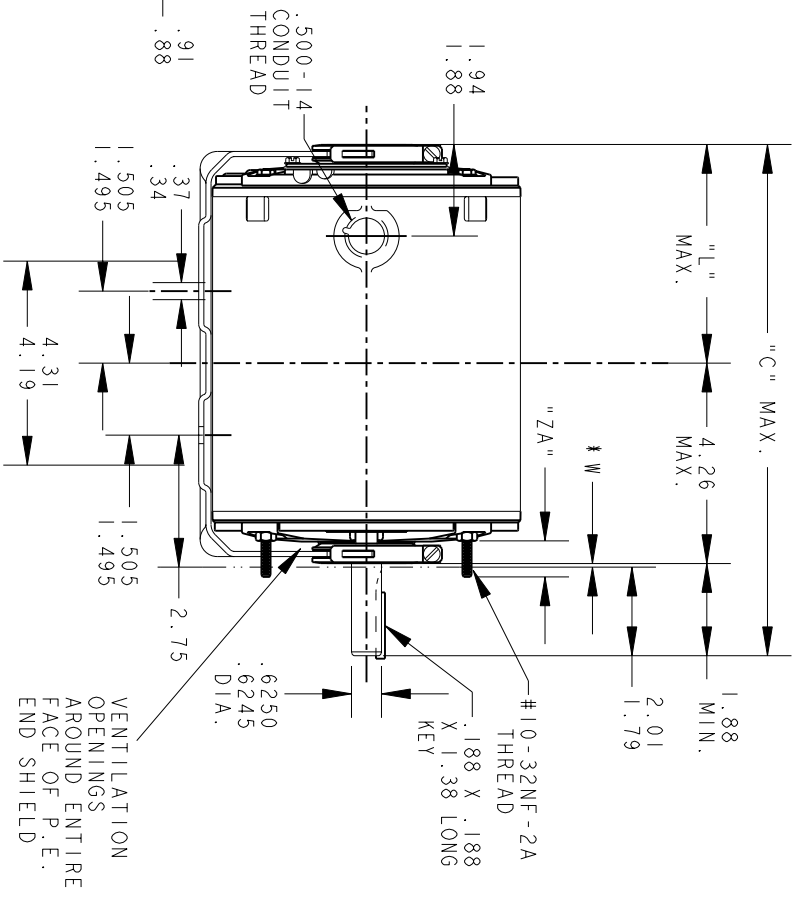


REVISIONS

REV.	DESCRIPTION	DATE	APPROVED
2	ADDED PART #4.	07/05/94	M.D. PAPE
3	CHG TO RBC FORMAT PER IS05-1777	03/16/06	SUDHA



VIEW OF P.E. END SHIELD



* W IS A VARIABLE CLEARANCE DUE TO VARIATIONS IN PARTS AND ASSEMBLY

VENTILATION OPENINGS AROUND ENTIRE FACE OF P.E. END SHIELD

4	3	2	1	P
KH/K	KH/K	KH/K	KH/K	TYPE
49	49	46	46	GE
56	56	56	56	SIZE
12.01	11.48	10.88	10.88	NEMA "C"
5.75	5.22	4.62	4.62	FR. "L"
.62	.62	.62	.62	"ZA"

ALL DIMENSIONS ARE IN INCHES



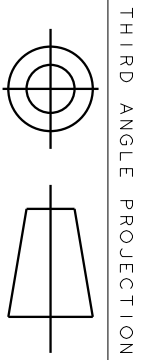
REGAL-BELOTT CORPORATION

OUTLINE

GENERAL PURPOSE MOTOR - DRIP PROOF - BALL BEARING - RESILIENT BASE EXTENDED CLAMP SCREWS FMF - 40 FRAME REDESIGN

FOR ADDITIONAL INFO REFER TO:	MODEL	MA MARKS	DATE
APPLIED PRACTICES	DETAIL		
DIMENSIONS ARE IN INCHES	CHECKED		
	ENGRG		
	MFG		
	QUALITY		
	ISSUED	M.A.M.	03/29/94
	MATERIAL	SOLID MODEL: 52A109511	

TITLE	SIZE	SCALE	REF. No.	SHEET
GENERAL PURPOSE MOTOR - DRIP PROOF - BALL BEARING - RESILIENT BASE EXTENDED CLAMP SCREWS FMF - 40 FRAME REDESIGN	DRAWING A	0.250		1 of 1
REV	52A109511			3



THIRD ANGLE PROJECTION

REVISIONS

REV.	DESCRIPTION	DATE	APPROVED
1	UPDATED FORMAT	11/10/05	MAM

EITHER ROTATION - SINGLE VOLTAGE
TYPE KC, OR KH



NOTE #1 - TO REVERSE ROTATION INTERCHANGE BLACK (T5-KH OR J9-KC) AND RED (T8) LEADS.

NOTE #2 - WHEN MORE THAN ONE CAPACITOR IS USED CONNECT IN PARALLEL.

REF. DIAG. - 121A850		SWITCH (C) - 115D958AB	
SIGNATURES		CONNECTION LABEL - 52X332047	
MODEL	M.D. PAPER	REGAL-BELOIT CORPORATION	
DETAIL	DATE	REGAL-BELOIT CORPORATION	
CHECKED		CONNECTION DIAGRAM	
ENGRG		FME: 30 FRAME SWITCH REDESIGN	
MFG		52A105377AA	
QUALITY		REV 1	
ISSUED	M.D.P.	SCALE: 1.000 REF. No: .	
APPLIED PRACTICES	DATE	SHEET 1 of 1	
DIMENSIONS ARE IN INCHES			
MATERIAL			